

Titan Hydraulic Motor™

**HMS SERIES LOW SPEED, HIGH TORQUE,
RADIAL PISTON HYDRAULIC MOTORS**



FEATURES:

- INTERCHANGEABLE WITH HYDREX HYDRAULIC MOTORS (MADE BY FLENDER AND LATER BY HAGGLUNDS)
- MULTI-CAM LOBE DESIGN
- LARGE HOLLOW THRU-SHAFT
- 120 POWER STROKES PER REVOLUTION
- EXCEPTIONALLY QUIET RUNNING
- INTEGRAL TORQUE ARM AND COUPLING
- TANDEM MOUNTING CAPABILITY
- SUPERIOR LOW SPEED PERFORMANCE
- MULTIPLE MOUNTING CONFIGURATIONS
- VERY COMPACT
- WIDE RANGE OF ACCESSORIES
- DESIGNED FOR INDUSTRIAL DUTY APPLICATIONS
- OUTPUT TORQUE CAPACITY TO 157,850 LB. FT. INTERMITTENTLY; 122,435 LB. FT. CONTINUOUSLY

OPTIONS:

- HOLLOW THRU-SHAFT WITH INVOLUTE SPLINES
- SOLID OUTPUT SHAFT

ACCESSORIES:

- THRUST BEARINGS
- ENCODERS
- TORQUE ARMS
- FOOT BRACKETS
- MULT-DISC BRAKES
- BACKSTOPS
- CROSS LINE RELIEF VALVES
- POWER UNITS AND CONTROL SYSTEMS
- PLANETARY TORQUE MULTIPLIERS WITH OUTPUT TORQUES TO 1,000,000 LB. FT. OR MORE

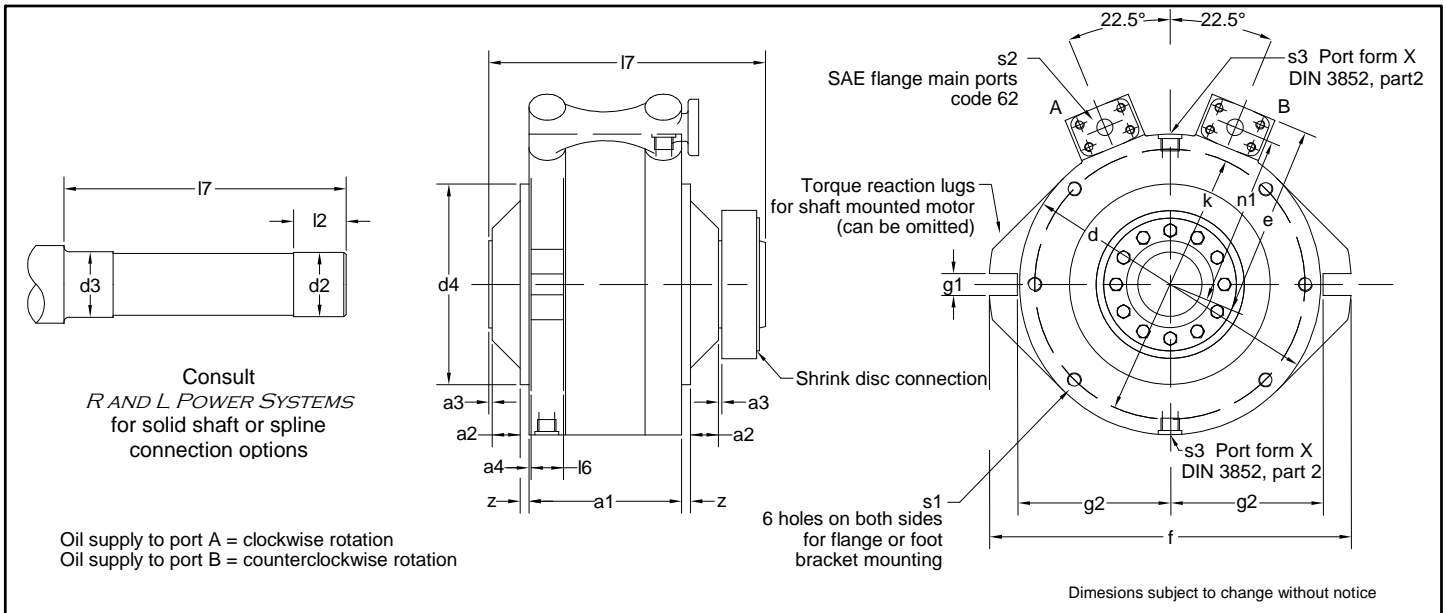
R & L POWER SYSTEMS

1019 LIBRA PLACE
BILLINGS, MT 59105 USA

Telephone: +1 (406) 839 - 1211
Telefax: +1 (832) 565 - 1853
Email: sales@randpowersystems.com

www.randpowersystems.com

TITAN Hydraulic Motor™ • Direct Drive • Shaft Mounted • Hollow Shaft with Shrink Disc Connection



Dimensions (Inches)

Type HMS Size	a1	a2	a3	a4	d	d2	d3	d4	d5	e	f	g1	g2	k	l2	l5	l6	l7	n1	s1 mm	s2 SAE Flange	s3 Drain Port BSPF	Z
345	6.89	1.26	.16	.10	13.58	2.91	2.95	9.06	6.69	8.66	16.34	.98	6.81	12.20	2.76	1.97	1.46	12.48	7.68	M16x22	3/4"	G 3/4"	.39
410	8.27	1.02	.16	.10	16.14	3.31	3.35	10.83	7.28	10.31	19.29	1.18	8.11	14.57	3.15	2.17	1.77	13.58	9.09	M16x24	1"	G 3/4"	.39
455	9.25	1.10	.20	.12	17.91	3.70	3.74	12.20	8.46	11.61	21.46	1.30	8.98	16.14	3.35	2.36	1.97	15.00	10.24	M20x30	1 1/2"	G 3/4"	.39
515	10.43	1.18	.24	.12	20.28	4.09	4.13	13.78	9.06	13.15	24.21	1.50	10.16	18.31	3.74	2.56	2.17	16.61	11.57	M20x35	1 1/2"	G 3/4"	.39
575	11.61	1.14	.24	.16	22.64	4.49	4.53	15.16	10.35	14.45	26.97	1.65	11.34	20.47	4.13	2.76	2.56	18.31	12.80	M24x40	1 1/2"	G 1"	.59
635	12.80	1.26	.28	.16	25.00	4.88	4.92	16.73	11.42	15.63	29.72	1.81	12.52	22.64	4.53	2.95	2.76	20.00	13.98	M24x45	1 1/2"	G 1"	.59
690	13.78	1.38	.28	.20	27.17	5.47	5.51	18.31	12.99	16.93	32.28	1.97	13.62	24.61	5.12	3.74	2.87	22.01	15.20	M30x45	1 1/2"	G 1"	.59
745	14.72	1.65	.28	.20	29.33	6.06	6.10	19.69	13.78	18.03	35.04	2.17	14.69	26.57	5.51	3.74	3.15	23.50	16.30	M30x50	1 1/2"	G 1"	.59
910.1	18.11	2.05	.31	.31	35.83	7.44	7.48	27.56	15.94	21.65	43.31	2.76	17.95	32.87	6.30	4.72	3.94	28.74	19.80	M36x55	2"	G 1 1/4"	.54
910	18.11	2.05	.31	.31	35.83	7.44	7.48	27.56	15.94	21.65	43.31	2.76	17.95	32.87	6.30	4.72	3.94	28.74	19.80	M36x55	2"	G 1 1/4"	.54
1100.1	20.47	2.76	.39	.31	43.31	9.02	9.06	32.28	19.09	25.59	51.97	3.35	21.73	39.37	6.30	5.31	4.13	33.66	23.62	M42x65	2"	G 1 1/4"	.79
1100	20.47	2.76	.39	.31	43.31	9.02	9.06	32.28	19.09	25.59	51.97	3.35	21.73	39.37	6.30	5.31	4.13	33.66	23.62	M42x65	2"	G 1 1/4"	.79

Displacements, Torques, Pressures, Speed Ranges and Weights

Type: HMS Size	Displacement (In ³ / Rev.)	Gal. / Rev.	Torque Ratings (1)			Max Pressure PSI	Speed Range RPM	Max. Speed RPM	Weight Lbs.
			Lb. Ft. / 1000 PSI	(2) Nominal (Lb. Ft.)	(3) Max (Lb. Ft.)				
345	77	0.33	1020	3690	4750	4650	0-160	200	230
410	120	0.52	1590	5755	7400	4650	0-160	200	385
455	177	0.77	2345	8480	10915	4650	0-150	180	520
515	253	1.10	3370	12170	15665	4650	0-150	175	730
575	353	1.53	4680	16965	21770	4650	0-140	150	1015
635	476	2.06	6315	22865	29355	4650	0-120	130	1345
690	614	2.65	8130	29500	37800	4650	0-100	110	1740
745	768	3.32	10210	36880	47490	4650	0-80	90	2160
910.1	1118	4.84	14830	53100	68950	4650	0-60	65	4015
910	1449	6.27	19200	69330	89300	4650	0-50	65	4015
1100.1	1924	8.33	25500	92165	118575	4650	0-40	45	6835
1100	2562	11.09	33950	122435	157850	4650	0-40	45	6835

- (1) Theoretical Values
- (2) Based on 4000 PSI, S. F. 1.0
- (3) Maximum 10% of the duty cycle
- (4) TITAN HYDRAULIC MOTOR™ are also available with integral planetary torque multipliers. Request document 600.004